



HVAC Cabin Air Filter PROJECT TUTORIAL

2ND Generation Cadillac CTS-V (2009-2015)

Tool Requirements

- 7mm Hex Head socket
- Ratchet



[VIDEO AVAILABLE HERE!](#)
(Courtesy of CarCareKiosk)

Part Numbers

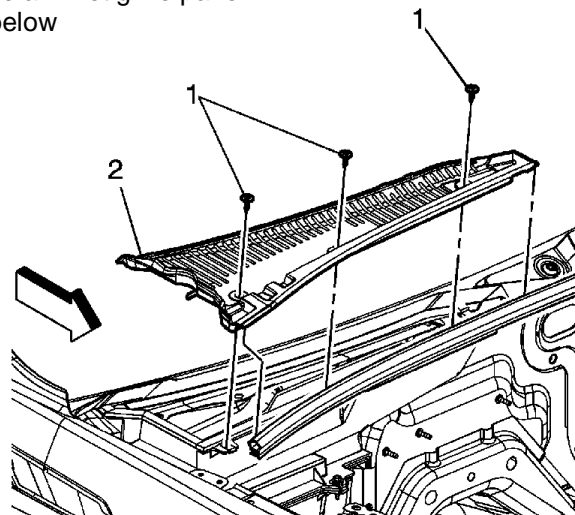
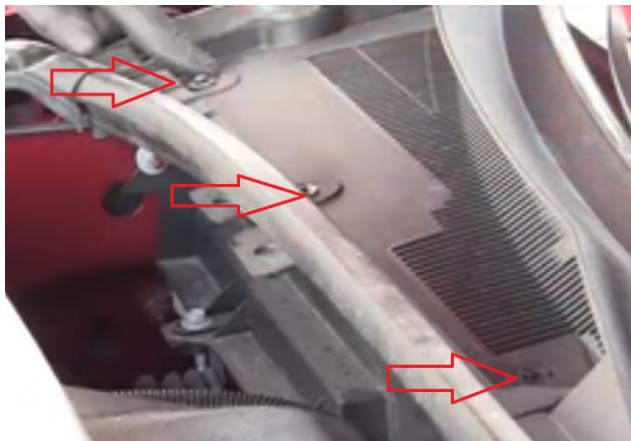
- Brand: FRAM / Part # CF10371 ([Amazon Link](#))
- Brand: GM / Part # 19130403 ([Amazon Link](#))

Change HVAC Cabin Air Filter – Step by Step

The cabin air filter filters the air that is blown from your heater or air conditioner into the cabin of your vehicle. You should change it at least once a year or every 20,000 miles. Replacing the cabin air filter (also known as the dust filter, HVAC filter, pollen filter, air conditioner filter and HEPA filter) will improve the interior air quality of your vehicle, will put less strain on your heating and air conditioning system and theoretically could increase your gas mileage. If you live in a dusty area or have respiratory problems, you should change the filter more often.

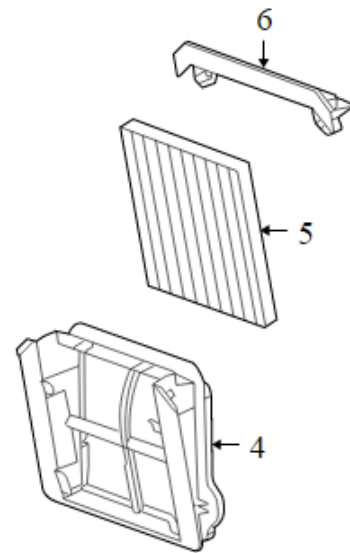
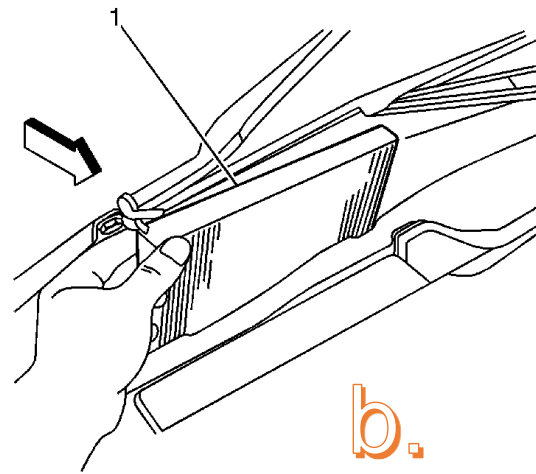
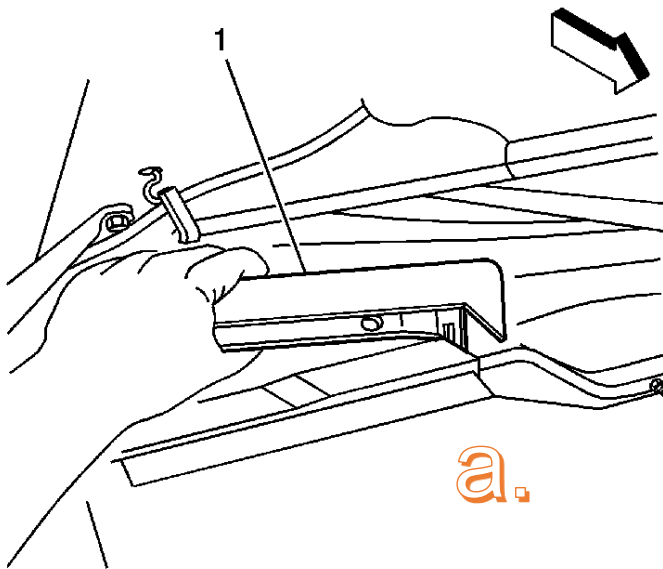
Step 1 - Remove the Air Inlet Grille Panel

- Open the hood
- Remove the rear hood seal from the hem flange on the air inlet grille panel
- Remove the three (3) 7mm bolts shown in the photos below
- Lift the air inlet grille panel upward for removal



Step 2 - Remove the Air Filter

- a. With two hands, release the tabs on each side of the access cover.
- b. Lift up the filter access cover
- c. Remove the filter from the filter housing.



Step 3 - Replace the Air Filter

- a. Reverse steps 1 and 2



A Cadillac V-Series Owner's Social Network and Community

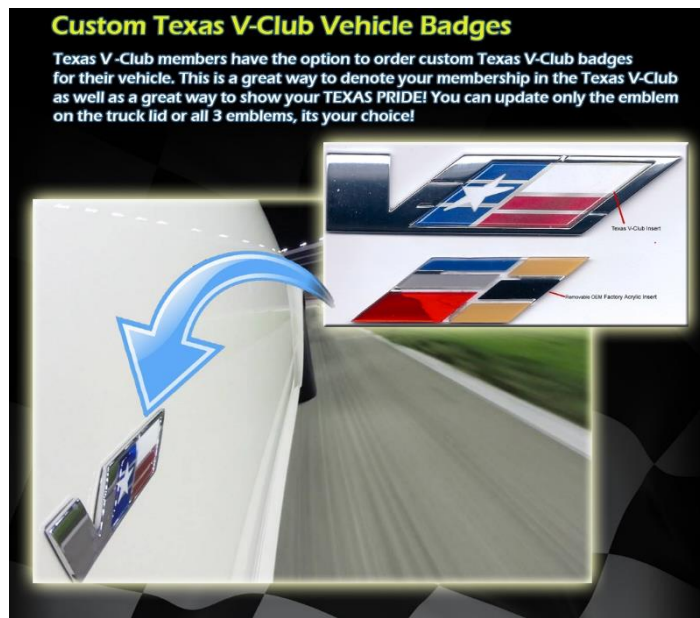
Interested in joining the Texas V-Club?

Whether you have a first generation V or a late model V sedan, coupe or wagon you are welcome to submit an application to join the Texas V-Club. Full membership is limited to V owners who reside in Texas and the club consists of four chapters located in DFW, Houston, Austin and San Antonio. Affiliate memberships are also open to non-residents of Texas.

Joining our club provides each member exclusive private access to our website "member's only" pages, monthly meets, public and private club events (i.e. track rentals) as well as discounts to our sponsors. You also have the opportunity to replace your V badges with custom made Texas V club badges (see photo below). Click [HERE](#) for more details on joining.

Visit our website at www.TexasVClub.com

Visit our Facebook at www.facebook.com/texasvclub



*****DISCLAIMER*****

Conclusions drawn from the information and data portrayed in this website are the sole responsibility of the user. Although care has been taken to ensure that our data and information is up to date and accurate, it is provided "as-is" and we give no warranty, express or implied, as to the accuracy, reliability, utility or completeness of this information. Users of this data assume all responsibility and risk for use of the data and the information made available via this website. Most of this data has undergone substantial editing and review prior to posting, but not all errors or inaccuracies may have been detected. Consequently, V-Tipniques data should be regarded as provisional as subsequent reviews may result in significant revisions to the data. Data users are cautioned to consider carefully the provisional nature of the information before using it for decisions or modifications to their vehicles.

We ask that any errors or problems found by the users be reported to our Club Administrator or Social Media Director. We will make reasonable efforts to correct errors brought to our attention and may update or make changes to the documents provided at any time without notice.

This information and data is the result of efforts by many V-Owners, Performance Shops, Tuners and Forum users. Our objective is to share what is commonly considered as public data and where appropriate, we have attempted to acknowledge the efforts of authors or product vendors.